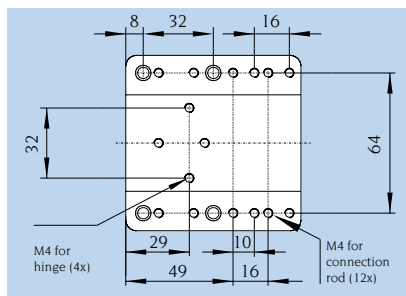
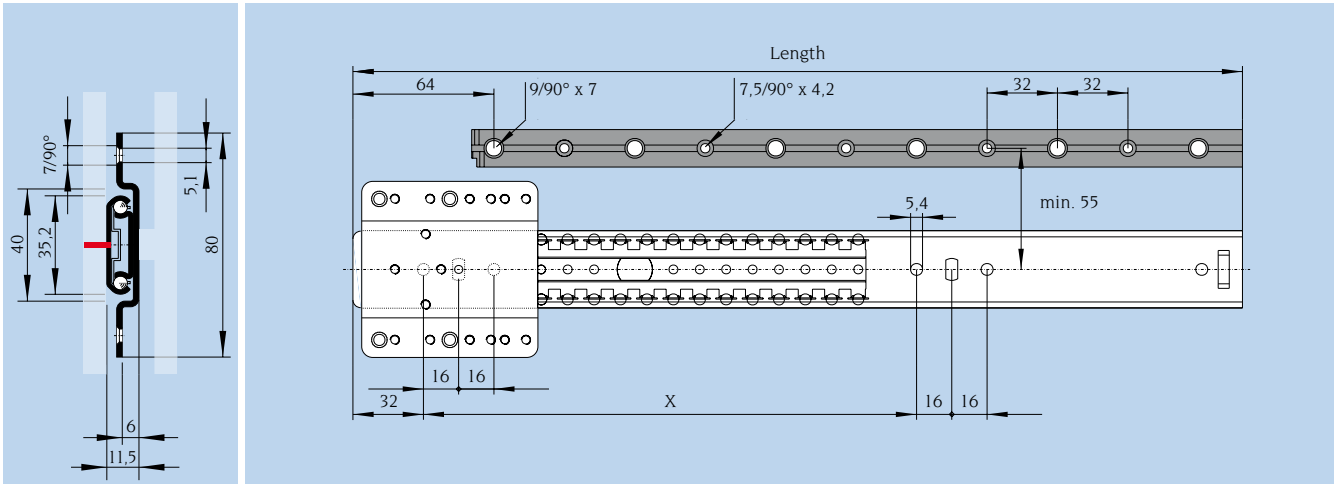


Flap door system

- For vertical and horizontal installation
- Door height 90 - 230 cm
- Rack+pinion parallel guidance (option)
- Detent in front end position



Linear slide Series 016

Article No.	Length mm	Travel mm	X mm	Weight kg / pair
016.10380	354	270	224	0,36
016.10010	404	320	224	0,40
016.10011	454	370	268	0,43
016.10029	504	420	288	0,46

Parallel guidance (option)

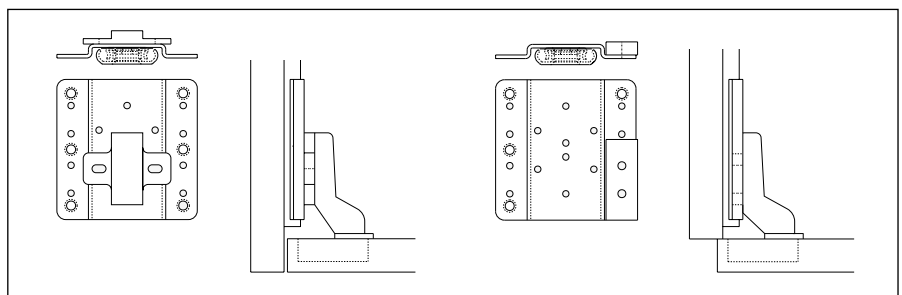
Article No.	Length mm	No.	Ordering example with 3 linear slides		
			Article	Quantity	Mounting instruction
090.18305	532	1	Rack	2 pieces	shorten to cabinet depth
090.17428		2	Pinion wheel	2 pieces	1 each per rack
090.17429		3	Block with screws M4 x 25 mm	3 pieces	1 each per linear slide
090.17430		4	Bush	3 pieces	1 each per linear slide
090.17991	2000	5	Connection rod	1 piece	shorten to cabinet height or width

Materials and finishes:

- Slide rails: zinc-iron coated and black chromated steel
- Ball cages: pre-zincated steel
- Balls: hardened carbon steel

Temperature range:

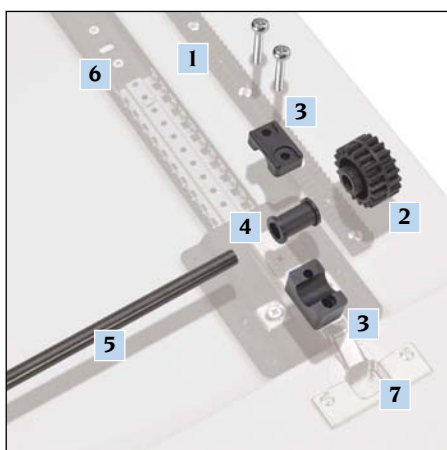
- Working temperature +10°C to +40°C
- Storage and transport temperature -20°C up to max. +80°C



The Schock flap door system can be used for inlaid or overlaid doors, depending on the hinge type.



- 1 Rack
- 2 Pinion wheel
- 3 Block
- 4 Bush
- 5 Connection rod
- 6 Linear slide
- 7 Hinge (added by customer)



The Schock flap door system can be used for inlaid or overlaid doors, depending on the hinge type.